



Research Institute for Microwave and Millimeter-Wave Studies (RIMMS)

IEEE MTT-AP-EMC Joint Chapter



Dr. Noshewan Shoaib

SMIEEE,

Chair IEEE MTT/APS/EMC Joint Chapter, Islamabad

noshewan.shoaib@seecs.edu.pk

IEEE Joint MTT-AP-EMC Chapter - Motivation

- No technical chapter
- Take advantage of wide network of IEEE
- Knowledge Sharing Platform
- Promotion of RF & Microwave Activities
- Enhance and expand the visibility and memberships

IEEE RF & Microwave Societies

- IEEE Microwave Theory & Techniques Society (**MTT-S**)
- IEEE Antennas and Propagation Society (**AP-S**)
- IEEE Electromagnetic Compatibility Society (**EMC-S**)



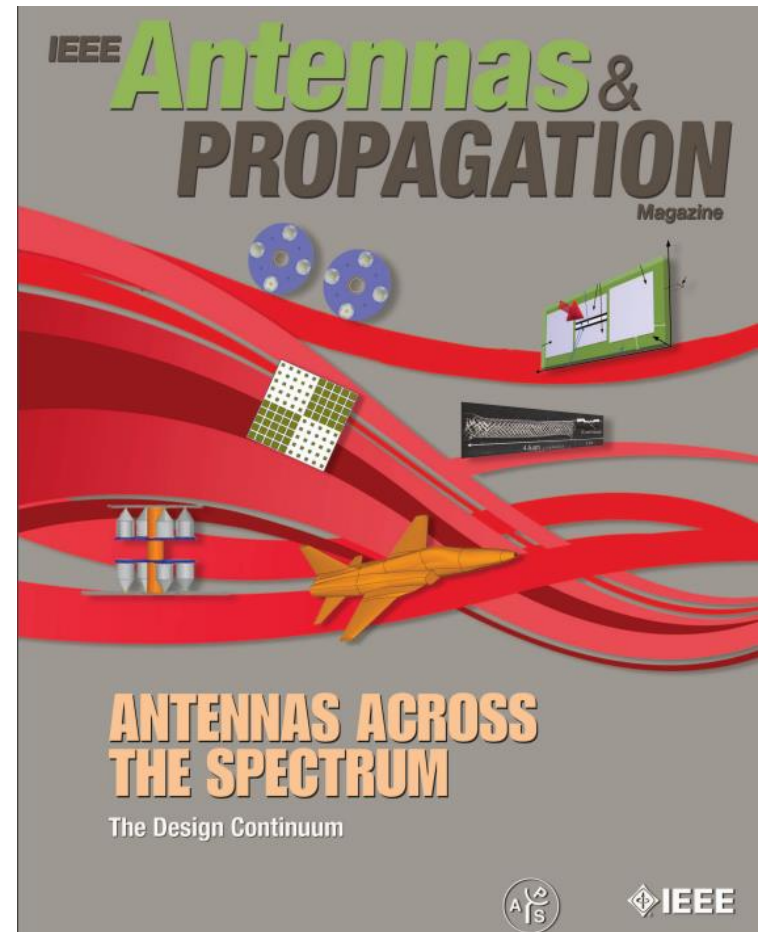
IEEE MTT Society

- A Transnational Society
 - 10,500 members
 - 190 chapters
- Promotes the advancement of microwave theory and its applications
 - RF, microwave,
 - Millimeter-wave, and
 - Terahertz technologies



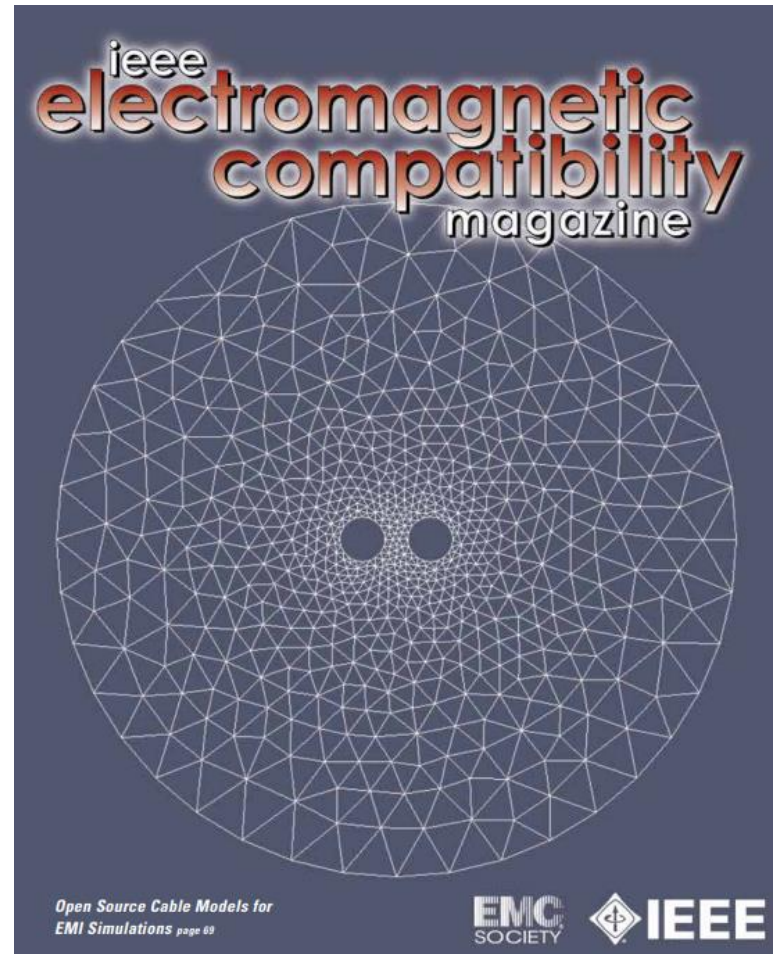
IEEE APS Society

- An International Society
 - Active in over 40 countries
- Field of interest
 - Antennas,
 - Propagation, and the interaction of EM waves
 - Applications and systems pertinent to antennas, propagation, and sensing



IEEE EMC Society

- A Professional Society
 - Members & Chapters Worldwide
- Field of interest
 - EM environmental effects
 - System Compatibility
 - EM Interference



IEEE Joint MTT-AP Chapter

IEEE Microwave
Theory & Techniques
Society (MTT-S)

IEEE Antennas &
Propagation Society
(AP-S)

IEEE Joint MTT-AP Chapter
Only Chapter in Pakistan

- Approved by **IEEE Islamabad** in **May 2017**
- Approved by **IEEE** in **Oct. 2017**

IEEE Joint MTT-AP-EMC Chapter

IEEE Microwave
Theory & Techniques
Society (MTT-S)

IEEE Antennas &
Propagation Society
(AP-S)

IEEE Electromagnetic
Compatibility Society
(EMC-S)

IEEE Joint MTT-AP-EMC Chapter

- Approved by **IEEE** in **Aug. 2018**

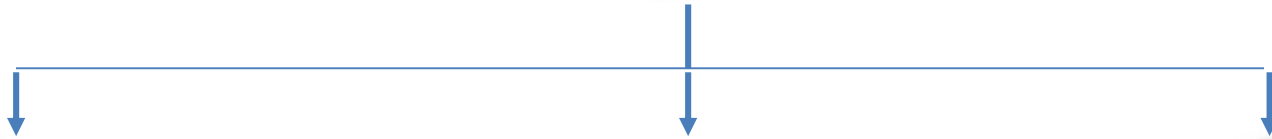
IEEE Joint MTT-AP-EMC Chapter - Officials



Dr Noshewan Shoaib
Chair



Dr Hammad Cheema
Co-Chair



Dr M. Umar Khan
Treasurer



Dr M. Zubair
Secretary/
Lahore Rep



Dr M. Faisal
Karachi Rep

IEEE Joint MTT-AP-EMC Chapter - Activities

International CST Workshop, 26-28 Sep 2017



IEEE Joint MTT-AP-EMC Chapter - Activities

IEEE EMC/EMI Workshop, 27-31 Aug 2018



IEEE Joint MTT-AP-EMC Chapter – DL Program

Distinguished Lecturer Program

IEEE International Seminar on Antenna & Wave Propagation
Prof. Yahia Antar, Royal Military College, Canada
(Nov. 2018)



IEEE Joint MTT-AP-EMC Chapter - Activities

Pro Bono Design Student Workshop – Jan. 2019



IEEE Joint MTT-AP-EMC Chapter - Activities

IEEE International Seminar on Nanoscale Healthcare Systems - Mar. 2019



IEEE Joint MTT-AP-EMC Chapter - Activities

LaTeX Workshop – April 2019

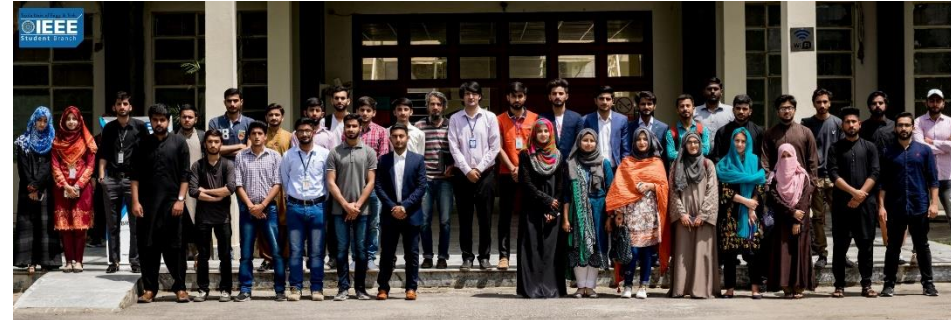


IEEE Joint MTT-AP-EMC Chapter - Activities



IEEE Joint MTT-AP-EMC Chapter - Outreach

IEEE Joint Chapter, AP03/MTT17/EMC27, Jan-May 2019



IEEE Joint MTT-AP-EMC Chapter - Outreach

IEEE Joint Chapter, AP03/MTT17/EMC27, Auckland, New Zealand, May 2019



Dr. Noshewan Shoaib
RIMMS, NUST

IEEE Joint MTT-AP-EMC Chapter - Representation

IEEE Executive Committee, Islamabad



IEEE Joint MTT-AP-EMC Chapter - Representation

IEEE APS Luncheon, Boston, USA, July 2018



IEEE Joint MTT-AP-EMC Chapter - Recognition

IEEE Faculty Course Development Award – May 2019



Dr. Noshawan Shoab
RIMMS, NUST

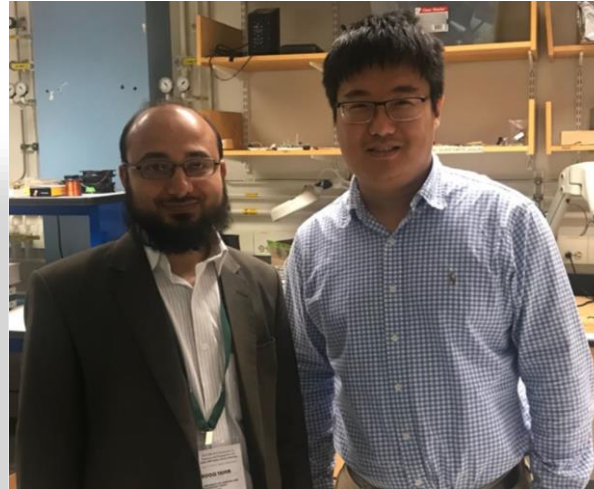
IEEE Joint MTT-AP-EMC Chapter - Networking

Networking Opportunities

Prof. Balanis



Prof Rounan Han



Prof. Raj Mitra



Prof. Sharawi

Dr. Noshewan Shoab
RIMMS, NUST

IEEE Joint MTT-AP-EMC Chapter – Today's Event

IEEE EMC/EMI Workshop – 2-3 July 2019

EMC/EMI Issues & Design Techniques

Build EMC/EMI Compliant Systems

Funded by:



**Bob Haislmaier
Angel Program**

**EMC
SOCIETY**

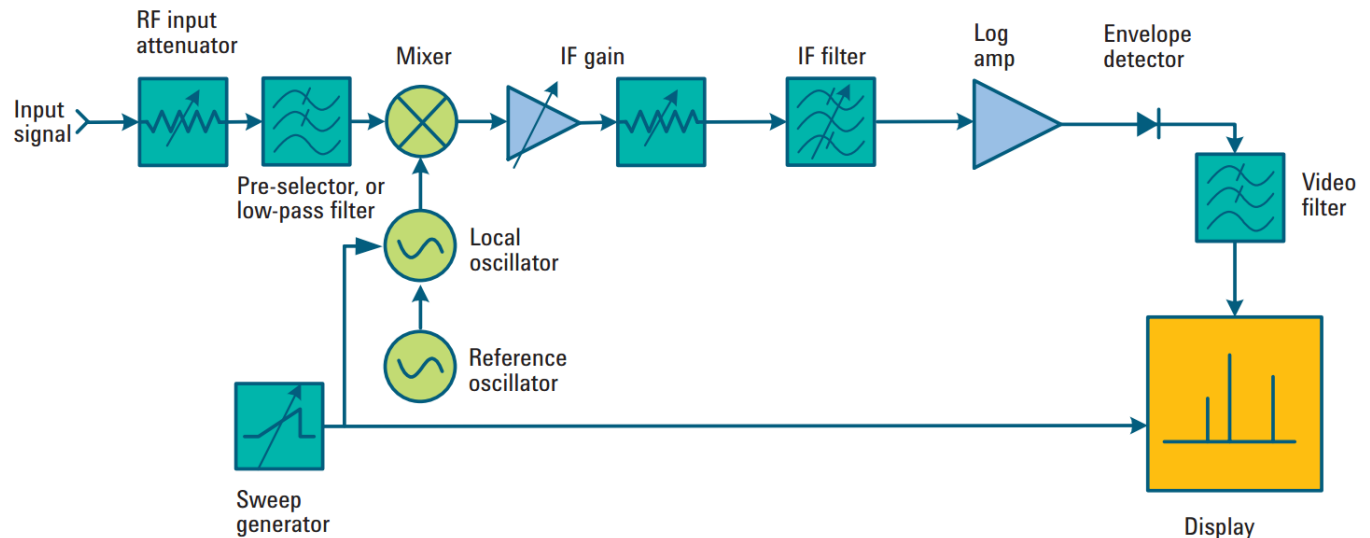
IEEE Joint MTT-AP-EMC Chapter – Future Event

IEEE RF Design Competition – 4 July 2019

Design & Develop an IC based RF receiver

For Wireless Application

Funded by:



*Image Courtesy: Agilent Technologies

IEEE Joint MTT-AP-EMC Chapter – DL Program

Distinguished Lecturer Program

IEEE International Symposium on Antenna & Wave Propagation (Nov. 2019)



Prof. Fan Yang,
AP DL
Microwave and Antenna
Institute,
Electronic Engineering, Dept.
Tsinghua University, Beijing,
China



Prof. Nuno Borges
Carvalho,
MTT DL
Full Professor
Universidade
de Aveiro,
Portugal



IEEE Joint MTT-AP-EMC Chapter - Planned Activities

- Organization of RF & Microwave Conference and themed workshops
- Promotion of teaching and research collaboration
- Invited talks on RF & Microwave related topics
- Expansion of joint chapter to other universities of the region

Conclusion

- Establishment of an effective platform
- If you are planning a RF & Microwave activity or would like to volunteer, please contact us
- For further information/proposal/collaboration, please contact:
 - IEEE Joint MTT-AP-EMC Chapter Chair: Dr. Noshawan Shoaib
(email: noshawan.shoaib@seecs.edu.pk)
 - IEEE Joint MTT-AP-EMC Chapter Co-Chair: Dr. Hammad M. Cheema
(email: hammad.cheema@seecs.edu.pk)

THANK YOU